



# Bentek Compression Trunk Connector (CTC) BTK-CTC2-A500

## Description

For 500kcmil AL trunk wire;  
Cu, Al, CCA wire up to #8AWG for the panel harnesses  
Rated for voltages up to 2000V DC

Connection points for up to four (4) panel strings are protected from the elements with a snap-on, gel seal cover (for field installation)

Multiple piercing points to maximize the connection

cULus 486A-486B listed, compliant to UL 486D with rain (486E) and sunlight (486H) resistance

## Specifications

### Wire size:

Trunk:	AL : 500kcmil
Branch:	Cu :#10AWG-#8AWG

### Voltage Rating

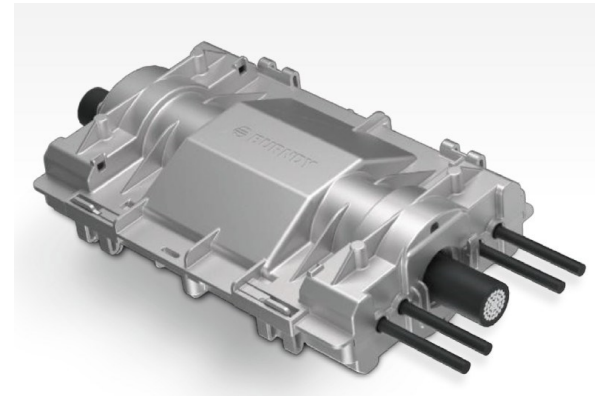
DC:	2000V DC
-----	----------

### Working Temperature

Range:	-40°C - +90°C
--------	---------------

### Flammability:

Rating:	UL 94 V-0
---------	-----------



## The Bentek Advantage

Bentek products meet the rigorous demands of premier commercial and utility-scale power plant designers and installers

Strict engineering design rules assure uncompromised safety and reliability. Our world class manufacturing processes guarantee long product life in challenging environments. A wide range of options enables BOS optimization for all system configurations.

Bentek stands behind its products with the maintenance, service and support needed to protect your investment.

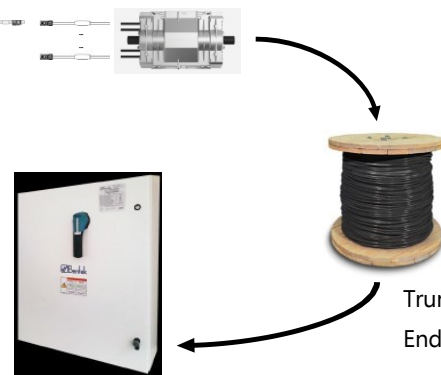
Our products are compliant to nationally recognized standards and are assembled in our facility in San Jose, CA.

Over-molded Parallel Panel Harness



In-line fuses

CTC BTK-CTC2-A500



UTS4+ BTD Disconnect